

COUNTERTOP TWO TIER HOT FOOD MERCHANDISER



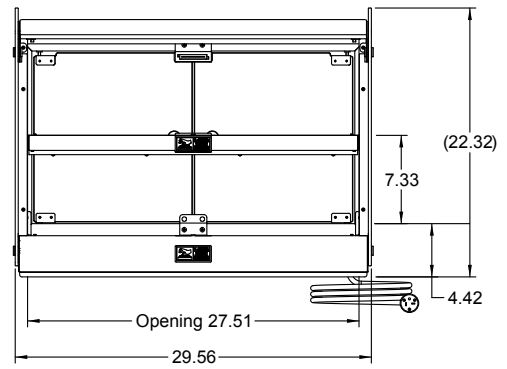
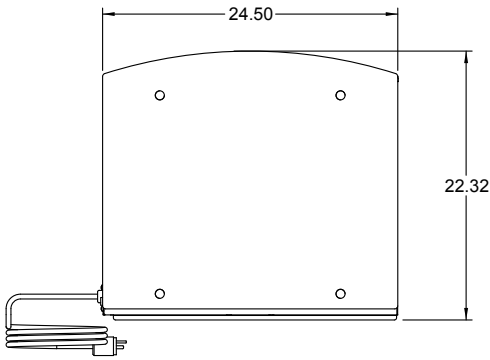
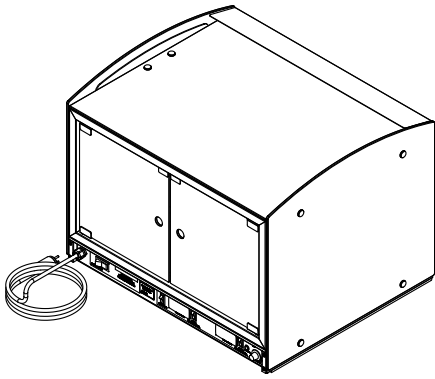
Royston Countertop Two Tier (HC-STN-2SC)

GRAB THAT LAST MINUTE IMPULSE BUY

Our heated, 2-tier countertop merchandiser with eye-catching T-5 lighting is a brilliant way to grab that last minute impulse buy as a customer approaches the sales counter. Or use it wherever you have counter space that should be driving more high margin sales for your store. It's the perfect small footprint showcase for your hot foods.

STANDARD FEATURES

- Stainless steel construction
- Easy-to-clean, 16-gauge, stainless-steel deck construction
- Attractive, clean appearance with no exposed fasteners
- 1/4" tempered glass sides and top
- Deck surfaces heated with energy-efficient heater pads to provide even heating across entire deck
- Heated shelves constructed from easy-to-clean black SCHOTT CERAN® glass-ceramic
- Each level provided with independent digital temperature controls
- Tubular heater provides additional top heating on lower shelf
- All controls easily accessed on back panel
- Access doors on back of unit
- Brilliant T-5 lighting
- Prewired breaker panel
- Certified UL Safety and UL Sanitation per NSF standards



COUNTERTOP 2 LEVEL • HC-STN-2SC - 29.5" x 24.5" x 22.3"				
ELECTRICAL SPECIFICATION				
Voltage	K Watts	Amps	Service	Plug
120	1.278	10.95	20 Amp	NEMA 5-20P
HEATED SURFACE AREA				
	Width	Length	Surface Area (sq.in.)	
Top Shelf	18.63	25.88	481.92	
Bottom Shelf	18.63	25.88	481.92	
TOTAL			963.84	

