

# HEN HOUSE HOT FOOD MERCHANTISER



Royston Hen House (HI-MHH-1SS)

## A MERCHANDISING MARVEL

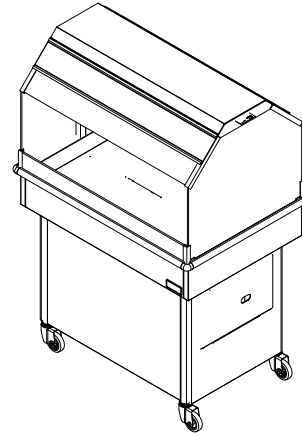
Our Hen House series has a proven track record for merchandising fresh-cooked chicken, but these units, available in multiple size configurations, have also demonstrated great strength in showcasing a broad menu of hot food options. Easy access, great halogen lighting and a deck surface with energy-efficient heating pads make this shop-around unit a winner in any store.

## STANDARD FEATURES

- Stainless steel upper body
- Easy-to-clean, 16-gauge, stainless-steel deck construction
- Attractive, clean appearance with no exposed fasteners
- Deck surface heated with energy-efficient heater pads to provide even heating across entire deck
- Digital temperature control for main heating surface
- Halogen lamps with shatterproof coating
- Attractive, polycarbonate temperature guards on all sides
- Easy control access through cabinet base door
- 1" black round bumper
- 3 sizes available 36"/51"/74"

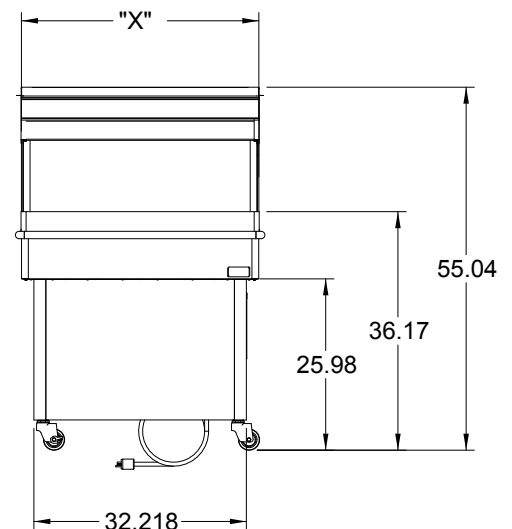
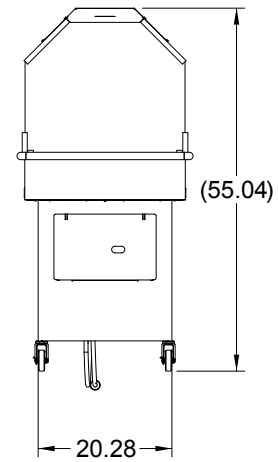





Halogen heat lamps with a shatterproof coating.



### UPGRADES

- Stainless steel or custom powder coated lower body
- Hanging baguette baskets & hardware
- Merchandising sign package
- Prewired breaker panel



HEN HOUSE • HI-MHH-1SS - 36" x 25" x 55"					
ELECTRICAL SPECIFICATION					
Voltage	K Watts	Amps	Service	Plug	
120	1.263	10.53	20 amp	NEMA 5-20P	
HEATED SURFACE AREA					
Width	Length	Surface Area (sq.in.)			
21.25	32.88	698.70			
HEN HOUSE • HI-MHH-1SS - 51" x 25" x 55"					
ELECTRICAL SPECIFICATION					
Voltage	K Watts	Amps	Service	Plug	
120	1.634	13.62	20 amp	NEMA 5-20P	
HEATED SURFACE AREA					
Width	Length	Surface Area (sq.in.)			
21.25	47.88	1017.45			
HEN HOUSE • HI-MHH-1SS - 74" x 25" x 55"					
ELECTRICAL SPECIFICATION					
Voltage	K Watts	Amps	Service	Plug	
120-208	2.313	21.60	30 amp	NEMA L14-30P	
HEATED SURFACE AREA					
Width	Length	Surface Area (sq.in.)			
21.25	70.88	1506.2			