

# TWIN TIER HEN HOUSE HOT FOOD MERCHANDISER



Royston Twin Tier Hen House (HI-MHH-2SS)

## A MERCHANDISING MARVEL

Our Hen House series has a proven track record for merchandising fresh-cooked chicken, but these units, available in multiple size configurations, have also demonstrated great strength in showcasing a broad menu of hot food options. Easy access, great halogen lighting and deck surfaces with energy-efficient heating pads make this shop-around unit a winner in any store.

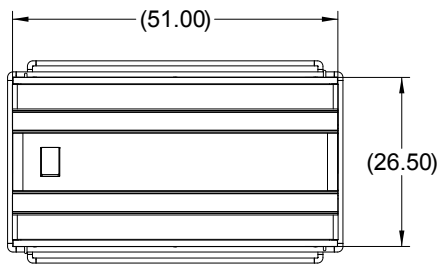
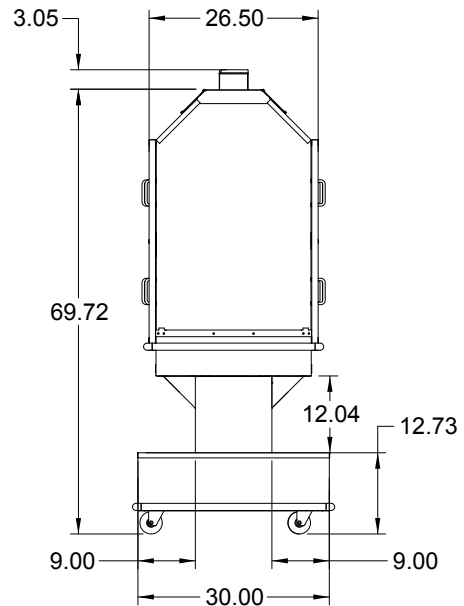
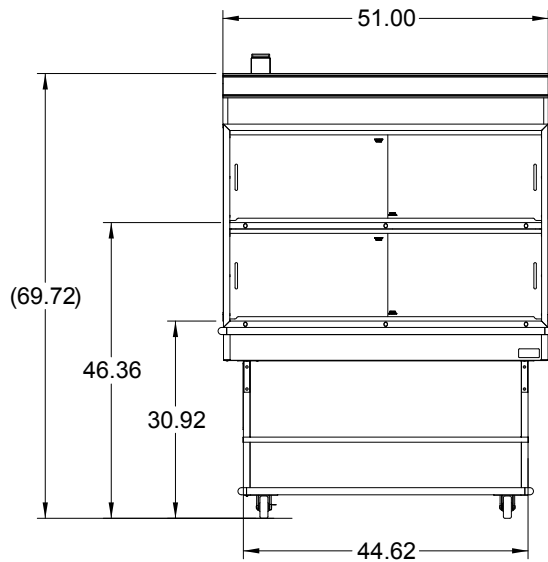
## STANDARD FEATURES


- Stainless steel upper body
- Easy-to-clean, 16-gauge, stainless-steel deck construction
- Attractive, clean appearance with no exposed fasteners
- Deck surfaces heated with energy-efficient heater pads to provide even heating across entire deck
- Digital temperature control for main heating surfaces
- Halogen lamps with shatterproof coating
- Attractive, polycarbonate temperature guards on all sides
- Easy control access through cabinet base door
- 1" black round bumper



## UPGRADES

- Stainless steel or custom powder coated lower body
- Hanging baguette baskets & hardware
- Merchandising sign package
- Prewired breaker panel



TWIN TIER HEN HOUSE • HI-MHH-2SS - 51" x 26.5" x 69.72"					
ELECTRICAL SPECIFICATION					
Voltage	K Watts	Amps	Service	Plug	
120/208	1.97	16.40	20 amp	NEMA 5-20P	
HEATED SURFACE AREA					
	Width	Length	Surface Area (sq.in.)		
Top Shelf	24.34	48.46	1179.52		
Bottom Shelf	21.54	47.79	1029.40		
TOTAL			2208.91		