

HEN HOUSE HOT FOOD MERCHANTISER



Royston Hen House (HI-MHH-1SS)

A MERCHANDISING MARVEL

Our Hen House series has a proven track record for merchandising fresh-cooked chicken. These units, available in multiple size configurations, can also showcase a broad menu of hot food options. Easy access, great halogen lighting and a deck surface with energy-efficient heating pads make this shop-around unit a winner in any store.

STANDARD FEATURES

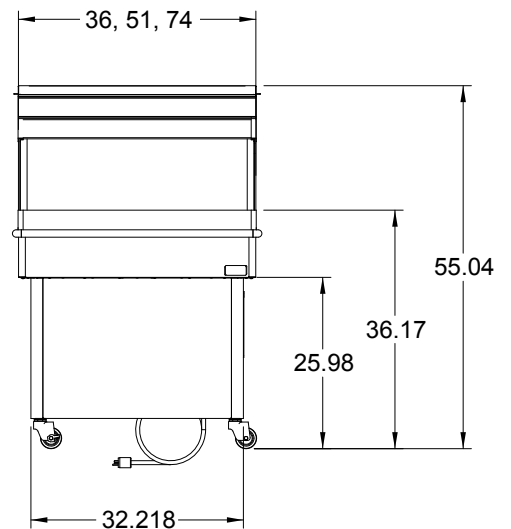
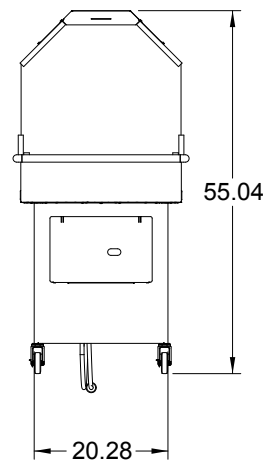
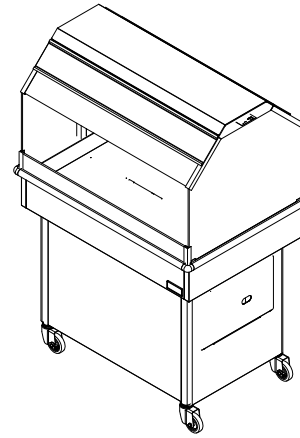
- Stainless steel upper and lower body
- Easy-to-clean, 16-gauge, stainless-steel deck construction
- Attractive, clean appearance with no exposed fasteners
- Deck surface heated with energy-efficient heater pads to provide even heating across entire deck
- Digital temperature control for main heating surface
- Halogen lamps with shatterproof coating
- Attractive, polycarbonate temperature guards on all sides
- Easy control access through cabinet base door
- 1" black round bumper
- 3 sizes available 36"/51"/74"
- UL safety certified
- UL sanitation certified to NSF Standard 4



Halogen heat lamps with a shatterproof coating.

UPGRADES

- Lower body custom powder coated colors
- Lower body wood grain or custom laminate
- Lower body exterior LED accent lights
- Merchandising sign package



HEN HOUSE • HI-MHH-1SS - 36" x 25" x 55"					
ELECTRICAL SPECIFICATION					
Voltage	K Watts	Amps	Service	Plug	
120	1.263	13.1	20 amp	NEMA 5-20P	
HEATED SURFACE AREA					
Width		Length		Surface Area (sq.in.)	
21.25		32.88		698.70	
HEN HOUSE • HI-MHH-1SS - 51" x 25" x 55"					
ELECTRICAL SPECIFICATION					
Voltage	K Watts	Amps	Service	Plug	
120	1.634	13.62	20 amp	NEMA 5-20P	
HEATED SURFACE AREA					
Width		Length		Surface Area (sq.in.)	
21.25		47.88		1017.45	
HEN HOUSE • HI-MHH-1SS - 74" x 25" x 55"					
ELECTRICAL SPECIFICATION					
Voltage	K Watts	Amps	Service	Plug	
208	2.313	21.60	30 amp	NEMA L14-30P	
HEATED SURFACE AREA					
Width		Length		Surface Area (sq.in.)	
21.25		70.88		1506.2	

