

TWIN TIER HEN HOUSE HOT FOOD MERCHANDISERS



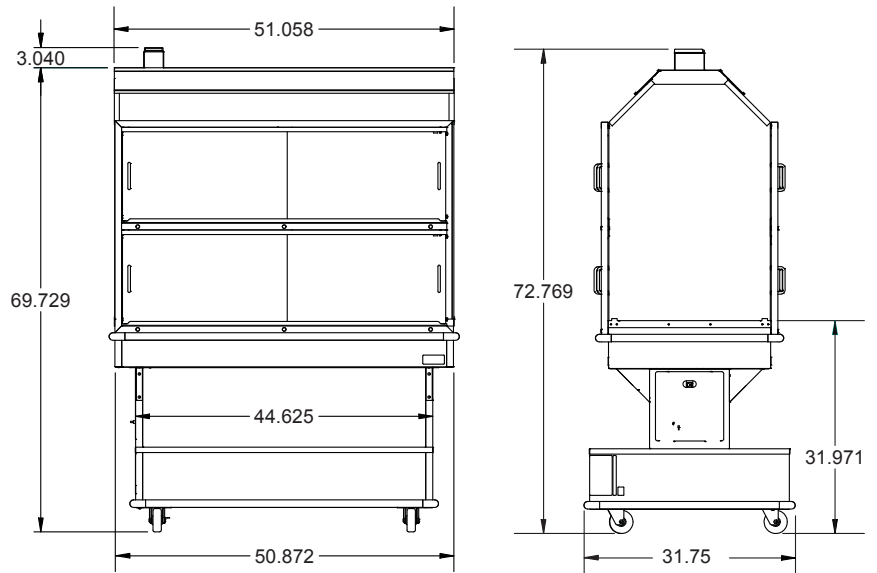
Royston Twin Tier Hen House without doors and black powder coated lower body (HI-MHH-2SS-ND)

A MERCHANDISING MARVEL

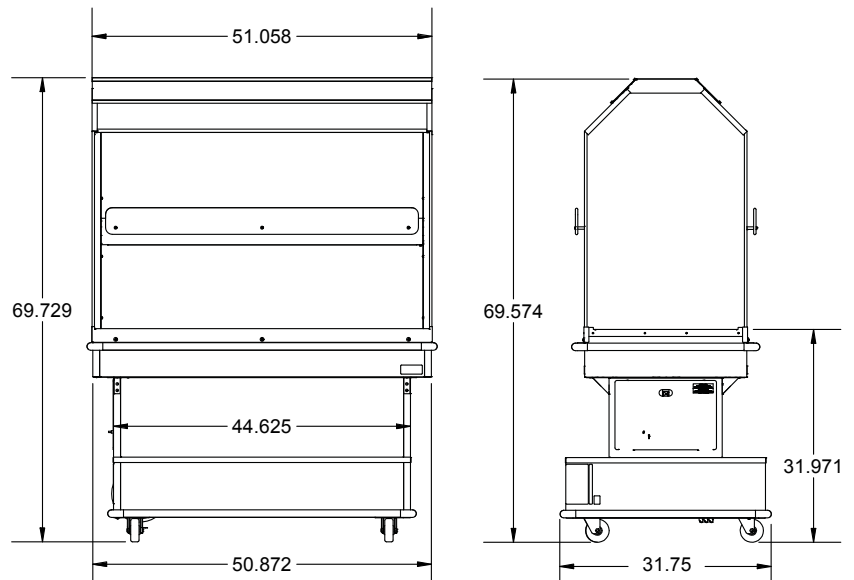
Our Twin Tier Hen House series is known for its successful merchandising of fresh-cooked chicken, but also demonstrates great strength in showcasing a broad menu of hot food options. These units are available with or without sliding doors, have easy access to product and great lighting. The deck surfaces have energy-efficient heating pads making these shop-around heated merchandisers a winner in any store.

STANDARD FEATURES

- Stainless steel upper and lower body
- Easy-to-clean, 16-gauge, stainless-steel deck construction
- Attractive, clean appearance with no exposed fasteners
- Deck surfaces heated with energy-efficient heater pads to provide even heating across entire deck
- Sliding door unit has Halogen heat lamps with a shatterproof coating
- Unit without doors has ceramic overhead heaters
- Digital temperature control for main heating surfaces
- Attractive, polycarbonate temperature guards on all sides
- Easy control access through cabinet base door
- 1" black round bumper
- UL safety certified
- UL sanitation certified to NSF Standard 4



Twin Tier Hen House, with doors



Twin Tier Hen House, no doors

UPGRADES

- Hanging baguette baskets and hardware
- Merchandising sign package
- Lower body custom powder coated colors
- Lower body wood grain or custom laminate
- Lower body exterior LED accent lights

TWIN TIER HEN HOUSE				
ELECTRICAL SPECS, WITH DOORS, HI-MHH-2SS				
Voltage	K Watts	Amps	Service	Plug
208	1.9	15.56	30 amp	NEMA L14-30P
ELECTRICAL SPECS, NO DOORS, HI-MHH-2SS-ND				
Voltage	K Watts	Amps	Service	Plug
208	4.0	19.53	30 amp	NEMA L14-30P
HEATED SURFACE AREA, BOTH MODELS				
	Width	Length	Surface Area (sq.in.)	
Top Shelf	24.34	48.46	1179.63	
Bottom Shelf	21.23	47.78	1014.90	
TOTAL			2194.51	

