

TWIN TIER HOT FOOD MERCHANTISER



Royston Twin Tier Merchandiser (HITT-2SS)

MEAL-TIME DECISION DRIVER

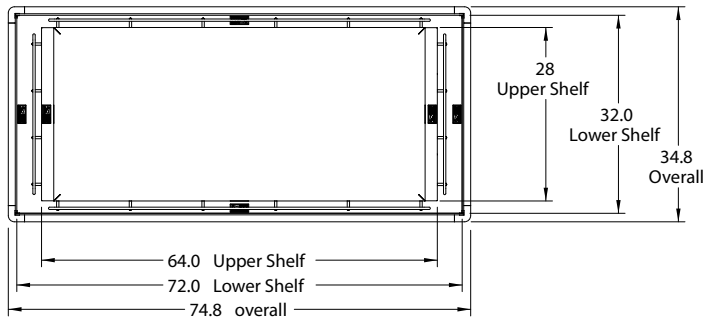
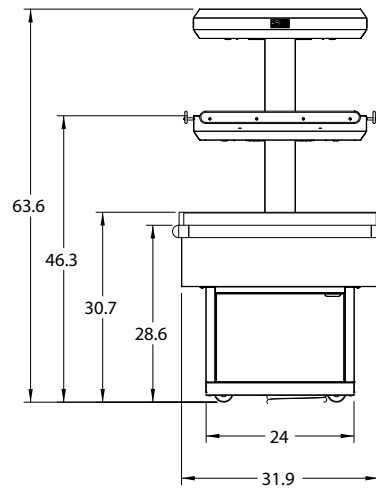
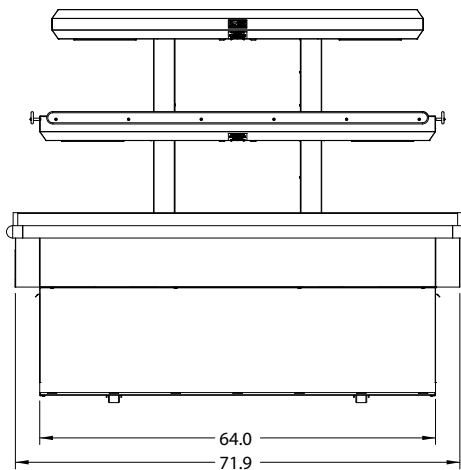
Our Twin Tier series of island hot food merchandisers are home meal replacement game changers. Prominent, attractive and easy to access, they are designed to showcase your hot foods and drive impulse buying shoppers looking for last-minute meal solutions. With a shop-around design and custom color and size options, this unit will make your store a dinner destination.


STANDARD FEATURES

- Stainless steel upper and lower exterior body
- Easy-to-clean, 16-gauge, stainless-steel deck construction
- Attractive, clean appearance with no exposed fasteners
- Safety coated 4100K T5 Fluorescent lamps for display lighting
- Durable ceramic infrared heating elements for above deck heating
- Deck surfaces heated with energy-efficient heater pads to provide even heating across entire deck
- Digital temperature control for main heating surfaces
- Attractive, polycarbonate temperature guards on all sides of center deck and top
- Easy control access through cabinet base door
- Single row of 2" bumper for cart impact protection
- UL safety certified
- UL sanitation certified to NSF Standard 4

UPGRADES

- Optional power out of top
- Custom powder coated base colors available



TWIN TIER • HITT-2SS - 72.1" x 32" x 63.5"				
ELECTRICAL SPECIFICATION				
Voltage	K Watts	Service	Plug	
208	4.3	30 Amp	NEMA L14-30P	
HEATED SURFACE AREA				
	Width	Surface Area (sq.in.)		
Top Shelf	28"	1,792"		
Bottom Shelf	32"	2,304"		
TOTAL		4,096"		



Twin Tier crated weight - 665 lbs.