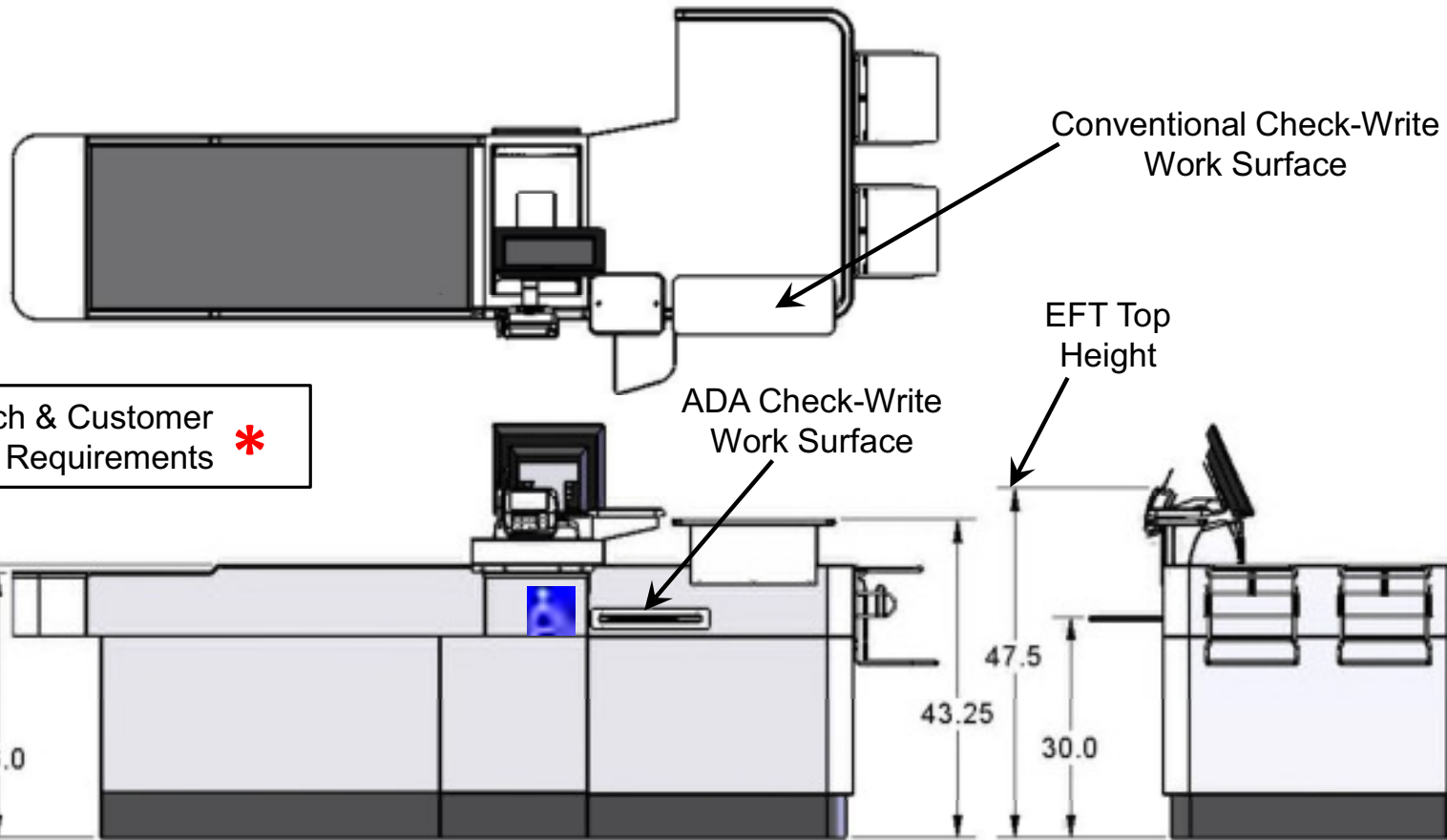


Check Stand



Meets Reach & Customer Operational Requirements *

ADA Section 308.2:

Where a forward reach is unobstructed, the high forward reach shall be 48" maximum and the low forward reach shall be 15" minimum above the finished floor or ground.

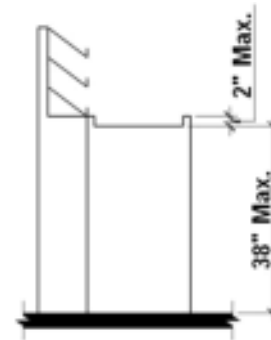
ADA Section 308.3:

Where a clear floor or ground space allows a parallel approach to an element and the side reach is unobstructed, the high side reach shall be 48" inches.

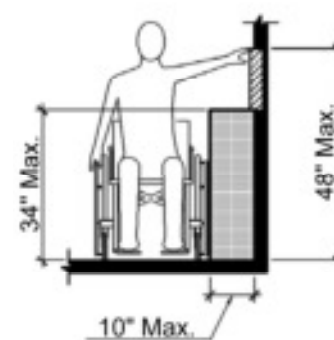
ADA 902.3 Height. The tops of work surfaces shall be 28 inches minimum and 34 inches maximum above the finish floor or ground.

ADA 904.3.2 Counter. The counter surface height shall be 38" inches maximum above the finish floor or ground. The top of the counter edge protection shall be 2" inches maximum above the top of the counter surface on the aisle side of the check-out counter.

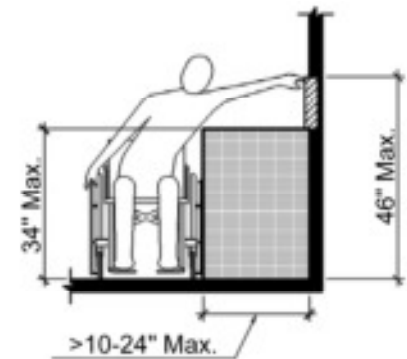
ADA 904.3.3 Check Writing Surfaces. Where provided, check writing surfaces shall comply with 902.3



ADA Check-Out Aisle



ADA Obstructed High Side Reach



*** This is an important and complicated regulation. Our customers and their legal counsel are ultimately responsible for their own interpretation of the applicable laws and regulations, and their relevance to their business.**